

# HiB

MAKING  
BATHROOMS  
BEAUTIFUL



**This product is suitable for installation in zones:  
1, 2 & Outside Zones**

All installations must comply with guidelines which are based on a zonal concept. The diagram above illustrates this concept and must be followed to ensure the safe installation of electrical appliances in the bathroom. These regulations apply to domestic installations only. Installations must be made in accordance with the current IEE wiring regulations and relevant building regulations. **HiB recommends that all electrical bathroom products should only be fitted by a suitably qualified, Part P registered electrician.**

## Chrome LED Showerlight

Cool White, LED Showerlight Art No. 5750

Warm White, LED Showerlight Art no. 5820

## White LED Showerlight

Cool White, LED Showerlight Art No. 5740

Warm White, LED Showerlight Art no. 5810

Thank you for purchasing this HiB product.

Please read through these instructions carefully and refer back to them during installation to ensure that your product is fitted safely and that it retains its high quality finish.

Please retain this leaflet for future reference.

Before drilling, ensure there are no hidden cables or pipes in the ceiling.

### Operation Instructions

LED Showerlights are IP54 rated

LED Bulbs cannot be replaced.

This product is not dimmable.

### Care Instructions

Do not use abrasives or solvents when cleaning this product

### Aftercare Service

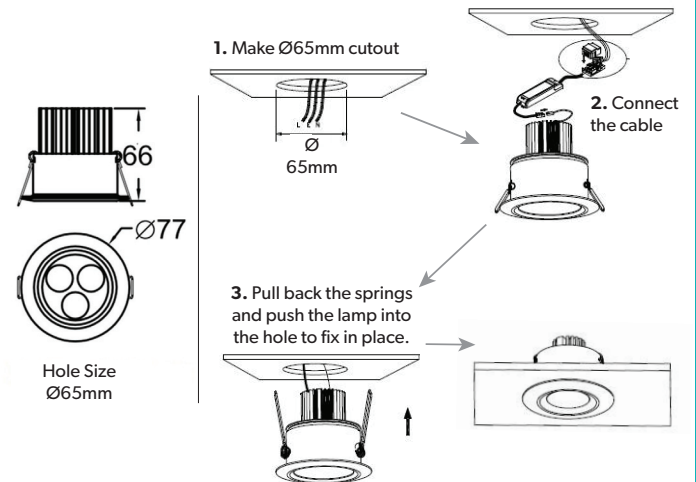
In the unlikely event that this product should fail please contact HiB customer services, contact details shown below.



**WEEE compliance**

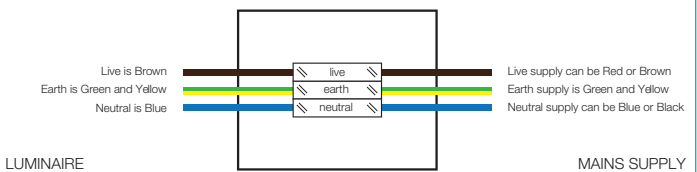
Must not be mixed with general household waste

### Fitting Instruction



1. Position the LED Showerlight in a suitable location (according to the zonal diagram, Fig. 1), ensuring that the domestic electrical mains supply is within reach of the electrical entry point of the product.
2. Make a standard installation hole as required in the ceiling. **Please take care when drilling the hole that there are no concealed pipes or cables that may become damaged.**
3. **Ensure the domestic electrical mains supply to which the ceiling light is being connected is turned off.** Connect the domestic mains supply to the terminal box according to the wiring diagram (Fig. 2).
4. First push the driver through the hole into the ceiling. Ensure that there are no loose strands protruding from the terminal blocks and that the insulating cover is securely in place.
5. Push back the springs and push the lamp into the hole to fix in place. **Please note the light fixture must not be covered with insulating material. There should be 100mm of free space around the light fixture in all directions.**
6. The springs will fall back to hold the lamp in place into the ceiling.

### Wiring Diagram (Fig. 2)



T: +44 (0)20 8441 0352 F: +44 (0)20 8441 0219 E: sales@hib.co.uk [hib.co.uk](http://hib.co.uk)

Building 3, North London Business Park, Oakleigh Road South, New Southgate, London. N11 1GN Fl#04 006 R151130 Ver No. 1.0 Jan 2016

©HiB Copyright: No part of this document may be reprinted or duplicated without HiB consent. All sizes and measurements are approximate, but we do try and make sure they are as accurate as possible. In the interest of continuous product development, HiB reserves the right to alter specifications as necessary. E & OE.