

Thank you for purchasing this HiB product.

Please read through these instructions carefully and refer back to them during installation to ensure that your product is fitted safely and that it retains its high quality finish.

Aftercare Service

In the unlikely event that this product should fail please contact HiB customer services, contact details shown overleaf.

Guarantee of Quality

HiB offer a 5 year guarantee against any manufacturing defects providing that all installation and care instructions are strictly followed subject of course to normal wear and tear. Due to the inherent properties of gloss laminate, we do not accept any responsibility for the performance of the decorative laminate surface. It is therefore imperative that the Gloss Care & Maintenance details are referred to both before and after installation, as misuse of all gloss laminates may affect the appearance of the work surface, particularly with regard to scratching.

Please retain this leaflet for future reference.

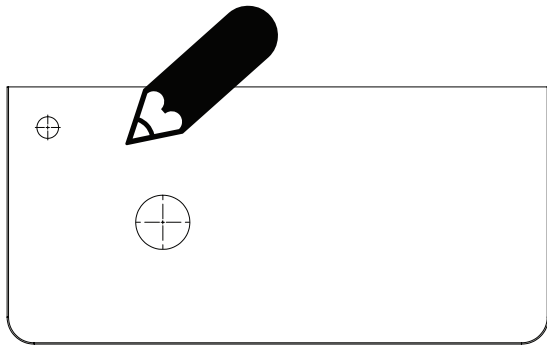


Fig. 1

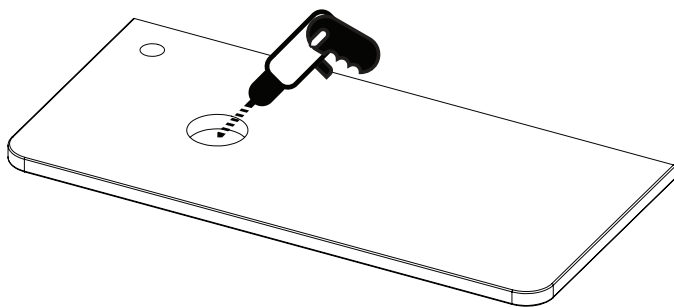


Fig. 2

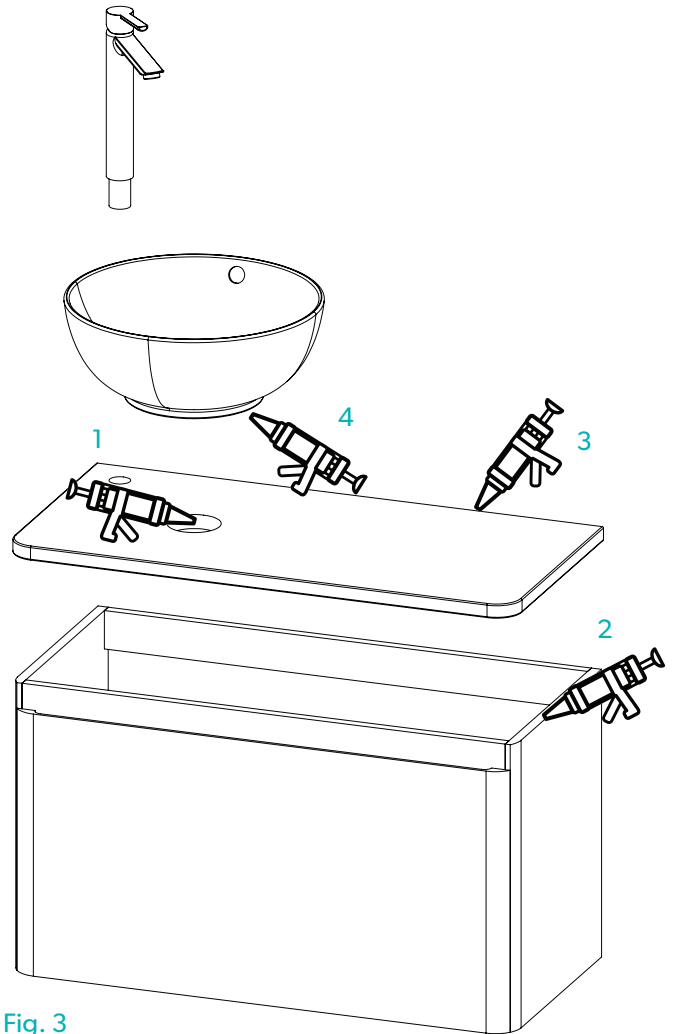


Fig. 3

Countertop Installation

1. It is recommended that the furniture base unit is fitted before commencing installation of the countertop and basin.
2. Ensure that all component parts (brassware, waste, basin etc.) are on site prior to commencing installation, this is to avoid making unnecessary mistakes when marking out.
3. Mark the central position of the basin and brassware on the countertop with a sharp, soft pencil as per **Fig. 1**.
4. Using a suitably sized hole saw or jig saw, cut through the countertop from above, as per **Fig. 2**.
5. Seal **ALL** cut edges with a silicone or polyurethane sealant (as per **Fig. 3, 1**), as this will help to protect the countertop from any moisture penetrating the core.
6. Install the countertop onto the furniture unit with silicone sealant (as per **Fig. 3, 2**).
7. Silicone across the back of the countertop, against the wall (**Fig. 3, 3**). This will prevent any water from getting behind the furniture unit.
8. Install the basin and brassware (if applicable) to the countertop, again using a silicone sealant to prevent any water getting underneath (as per **Fig. 3, 4**).

Cleaning and Care Guidelines

A major advantage of these bathroom surfaces is that the HPL (High Pressure Laminate) surface makes cleaning so simple. Usually a moist cloth is sufficient, but use washing-up liquid to get rid of any grease. Stubborn dirt can be removed with an organic solvent such as methylated spirits or alcohol. A brush with hard bristles (but not wire brushes) may also be used, but not on a glossy surface.

Cleaning and Caring for your Gloss Surface

General cleaning of the surface requires only a damp cloth and a mild detergent or non-abrasive cleaner diluted in warm water. Abrasive scouring powders, creams and even polishes should all be avoided. Potentially persistent stains should be removed immediately. Buff the surface after cleaning with a soft cloth. A GLOSS SURFACE WILL SHOW SCRATCHING, CUTS, HEAT DAMAGE, MORE EASILY THAN A STANDARD FINISH SURFACE.

ALWAYS AVOID LEAVING EXCESS WATER AROUND AREAS WHERE THERE ARE CUT OUTS, AS THESE ARE POTENTIAL WEAK AREAS. ALWAYS WIPE AWAY EXCESS STANDING WATER IMMEDIATELY. DO NOT LEAVE ANY DAMP CLOTHS, SPONGES OR ANYTHING WET ETC. ON THE TOP EDGES, AS THIS TOP EDGE IS A POTENTIAL WEAK AREA TO WATER INGRESS.