

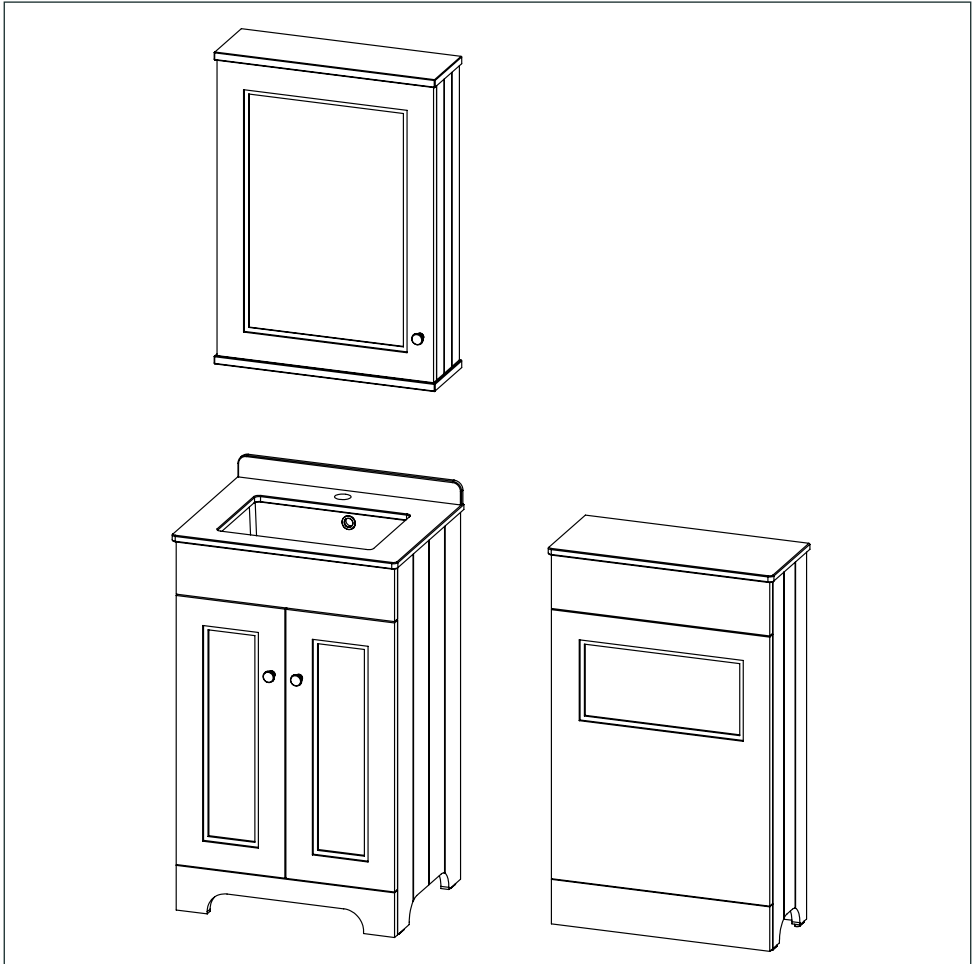
# HiB

## NOVUM

BATHROOM FURNITURE

### Kingsbury

Furniture Range



Thank you for purchasing this HiB Novum product.

Please read through these instructions carefully and refer back to them during installation to ensure that your product is fitted safely and that it retains its high quality finish.

Please retain this leaflet for future reference.

Before drilling, ensure there are no hidden cables or pipes in the wall.

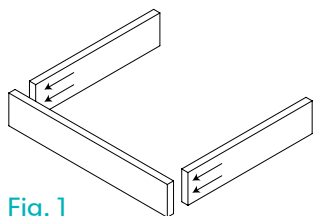


Fig. 1

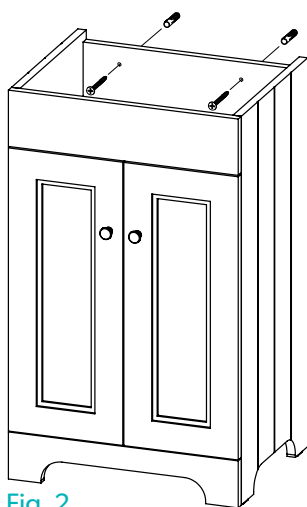


Fig. 2

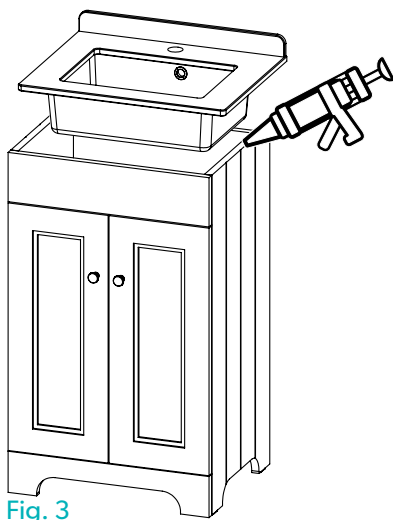


Fig. 3

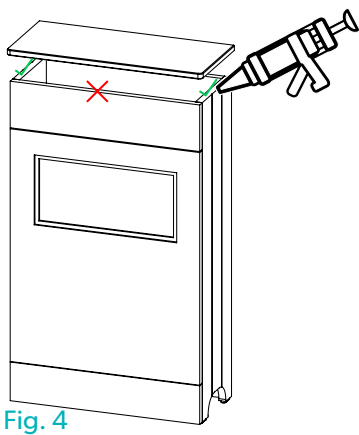


Fig. 4

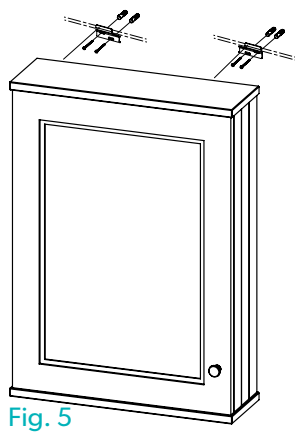


Fig. 5

## Plinth Infill (Optional)

1. The optional plinth infill is designed to simply sit underneath the furniture unit.
2. Assemble the plinth infill by fixing the cam and dowels into place and securing the three components together (Fig. 1).
3. Carefully lay the furniture unit on its back, on a soft surface.
4. Put the plinth infill in place underneath the unit and secure in place with a small application of silicone sealant on each corner, ensuring the sealant will not be visible when installed.

## Vanity Units

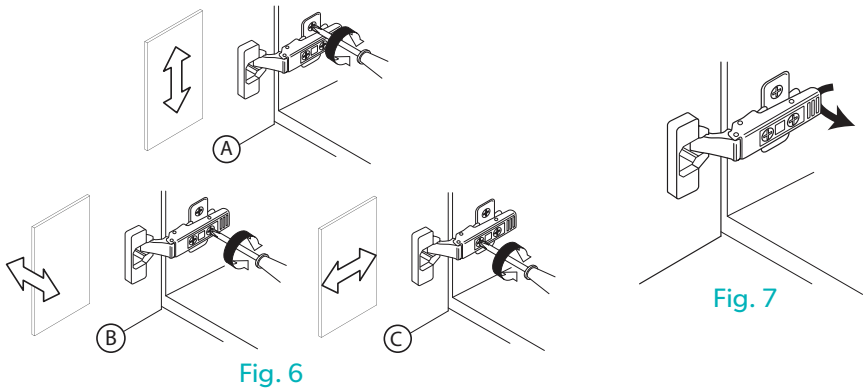
1. **Note:** If an optional Plinth Infill is to be fitted with the unit, this should be done before commencing installation
2. Position the unit in a suitable location. Carefully mark the desired position of the unit using a soft pencil.
3. Measure the positions of the two fixing holes in the back of the unit, carefully mark the position of the holes onto the wall using a soft pencil. (Fig. 2).
4. **Before drilling, ensure there are no hidden cables or pipes behind the mounting points.** Using a suitable drill bit, drill holes in the marked positions to a suitable depth.
5. Insert wall plugs level with the surface of the wall. If fitting to a tiled surface, wall plugs should be inserted below the tile surface to avoid cracking. **NB. For plasterboard walls, specialist heavy duty fixings should be purchased from any DIY or hardware store.**
6. Bring the furniture unit back into position, and fix the unit to the wall by inserting screws through the back of the unit, into the holes previously drilled.
7. If necessary, the door hinges can be adjusted in order to fine tune their alignment. Fine adjustments can be made to the door by adjusting the small screws as per Fig. 6.
8. Mount the basin onto the furniture unit using a fine bead of silicone to seal the washbasin to the unit and wall edges.

## BTW Units

1. Position the BTW unit in a suitable location, according to the desired WC location and availability of services.
2. Fit the pan and cistern (not supplied) according to the manufacturers instructions. Care should be taken when cutting the hole for cistern lever and for the pan outlet, use a fine tooth saw and be careful to reseal the edge of the cut panel to stop any water ingress.
3. Once installed, the quartz counter top can be put into place, It is recommended that a fine bead of silicone is applied underneath the counter top to secure it in place. Silicone should only be applied on the left and right hand sides of the unit (As per Fig. 4), otherwise access to the cistern will be sealed closed.
4. For maintenance, the front top and front centre panels can be removed. The front top panel simply pulls forward horizontally, while the centre panel lifts up vertically once the top panel is removed.

## Mirrored Cabinets

1. It is recommended that the door is removed from the mirrored cabinet prior to installation for ease. The door can be removed by un-clipping the hinges (there is a release catch at the back of the hinge - see Fig. 7). It can be reattached by reversing this action and pushing the hinge back on to the mounting plate until they click into place.
2. Position the cabinet in a suitable location. Carefully mark the desired position of the unit using a soft pencil.
  1. Using a spirit level, mark a horizontal line below the pencil mark, taking into account the location of the furniture hangers. Place brackets on the pencil line paying attention to the distance between the furniture hangers. Carefully mark the position of the holes using a soft pencil. (Fig. 5).
- 2. Before drilling, ensure there are no hidden cables or pipes behind the mounting points.** Using a suitable drill bit, drill holes in the marked positions to a suitable depth.
3. Insert wall plugs level with the surface of the wall. If fitting to a tiled surface, wall plugs should be inserted below the tile surface to avoid cracking. **NB. For plasterboard walls, specialist heavy duty fixings should be purchased from any DIY or hardware store.**
  1. Fix the brackets to the wall using the screws provided (Fig. 5).
  2. Hang the furniture unit, ensuring the claws on the hangers are securely located on the wall brackets.
  3. If necessary, the door can be adjusted to align it with the cabinet carcass. This is done by adjusting the small screws on the hinges (see Fig. 6).



## Cleaning

To preserve the high quality finish of your HiB Novum product, please ensure you regard the following care and cleaning recommendations:

- Use only a soft damp cloth.
- Wipe off all water spillages as soon as possible
- DO NOT USE any abrasives or solvents.

## Aftercare Service

In the unlikely event that this product should fail please contact HiB customer services, contact details shown below.

T: +44 (0)20 8441 0352 F: +44 (0)20 8441 0219 E: sales@hib.co.uk [hibnovum.co.uk](http://hibnovum.co.uk)  
Building 3, North London Business Park, Oakleigh Road South, New Southgate, London. N11 1GN

©HiB Copyright: No part of this document may be reprinted or duplicated without HiB consent. All sizes and measurements are approximate, but we do try and make sure they are as accurate as possible. In the interest of continuous product development, HiB reserves the right to alter specifications as necessary. E & OE.