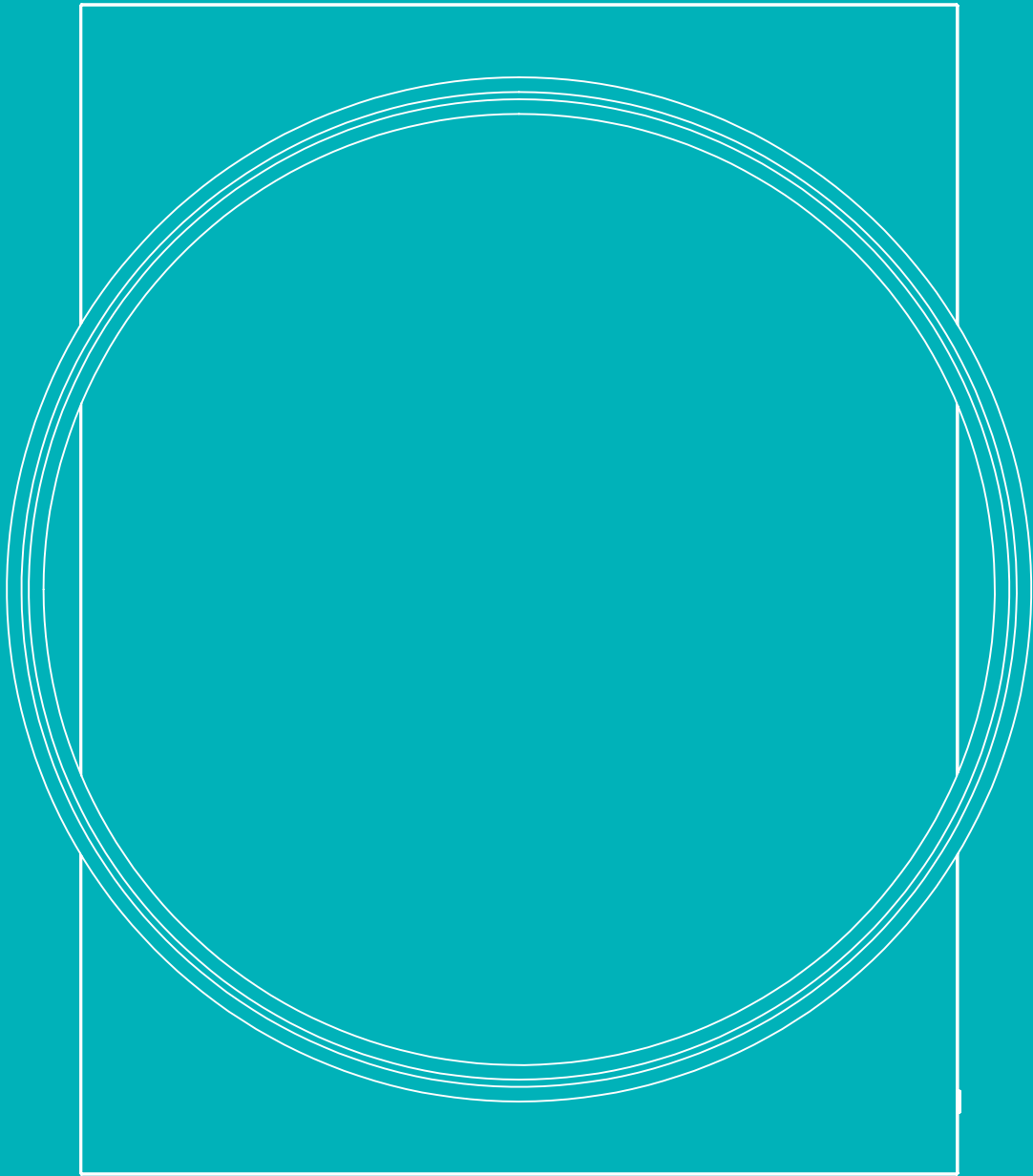


HiB

MAKING
BATHROOMS
BEAUTIFUL

**Technical Drawing &
FAQ Data Sheets**

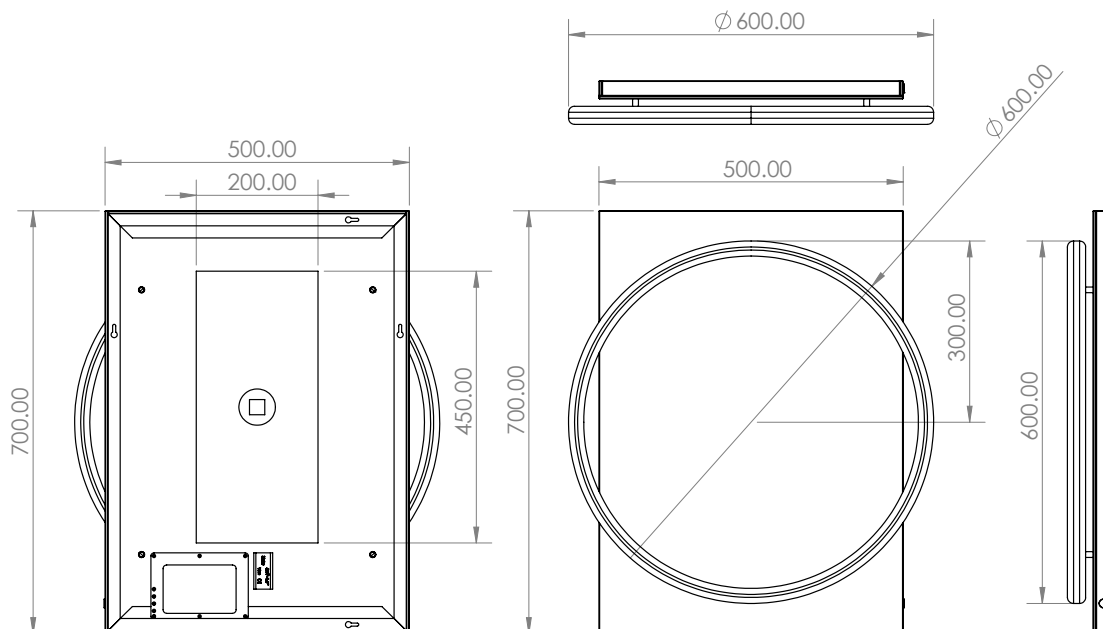


**Solas 50
Solas 60**

HiB recommend you receive the product before commencing with installation as all sizes and measurements are approximate.
HiB try and ensure all measurements are as accurate as possible.
In the interest of continuous product development, HiB reserves the right to alter specification as necessary. E & OE.

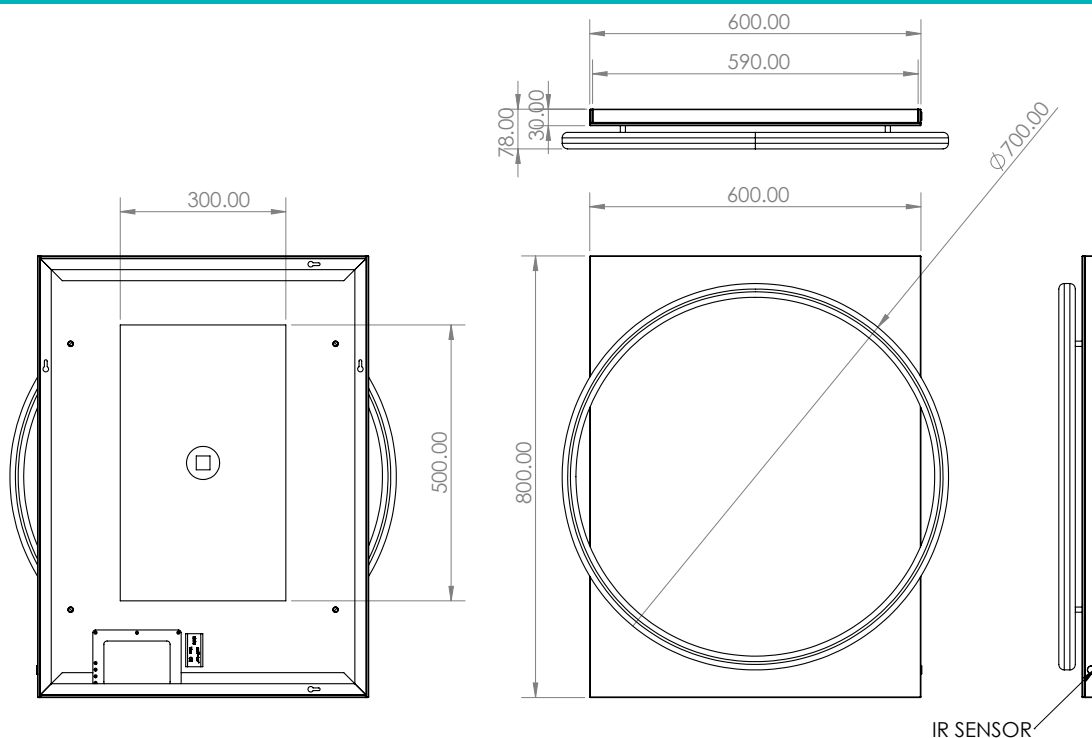
Solas 50

Art no. 79510500, 79520500



Solas 60

Art no. 79510600, 79520600



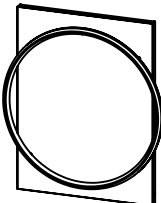
Electrical Safety Information

HiB recommends that all electrical bathroom products should only be fitted by a suitably qualified, Part P registered electrician in accordance with current IEE regulations.

- Ensure mains power supply is switched off before starting installation.
- Before drilling, ensure there are no hidden cables or pipes in the wall.

Solas

50 & 60 Chrome / Black

		Version No. 17.01.19
	Product	Solas 50 & Solas 60 chrome / black
	Art. No.	Solas 50 chrome: 79510500, Solas 60 chrome: 79510600 Solas 50 black: 79520500, Solas 60 black: 79520600
	Product Description	Mirror with circular suspended band of LED illumination.

Question	Answer
Nett weight (kg)	Solas 50 (chrome): 8.07kg / Solas 60 (chrome): 10.2kg Solas 50 (black): 7.2kg / Solas 60 (black): 9.2kg
Light Source	LED
Light Source Average Lifespan	Average: 30,000 hr
Total Rated Wattage (W)	Solas 50 (chrome/black): 37.5w / Solas 60 (chrome/black): 56w
Lumens (Lm)	Solas 50 (chrome/black): 1800lm / Solas 60 (chrome/black): 2500lm
Kelvins (k)	Solas 50 (chrome/black): 2700-6500k / Solas 60 (chrome/black): 2700-6500k
Is the mirror dimmable?	No
Energy Rating	A Class
What orientation can the mirror be hung in?	All Solas mirrors can be hung portrait OR landscape
Is the heated pad only on when the mirror is illuminated?	Yes
Does the mirror require an earth connection?	No
Can I bypass the sensor so the mirror comes on with the main room light?	No
Is it cool white or warm white illumination?	Both, the mirror is colour temperature changing
How long is the warranty?	5 years from date of purchase on silvering coating on mirror 2 years from date of purchase on electrical components in the mirror

Electrical Safety Information

HiB recommends that all electrical bathroom products should only be fitted by a suitably qualified, Part P registered electrician in accordance with current IEE regulations.

Ensure mains power supply is switched off before starting installation.

Before drilling, ensure there are no hidden cables or pipes in the wall.

HiB recommend you receive the product before commencing with installation as all sizes and measurements are approximate.

HiB try and ensure all measurements are as accurate as possible.

In the interest of continuous product development, HiB reserves the right to alter specification as necessary. E & OE.