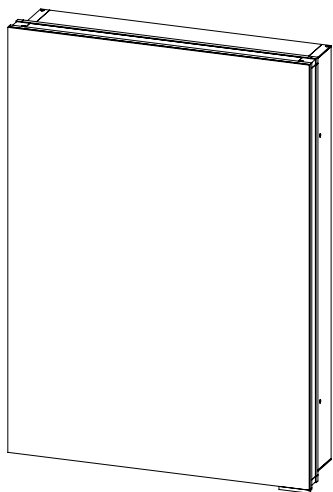


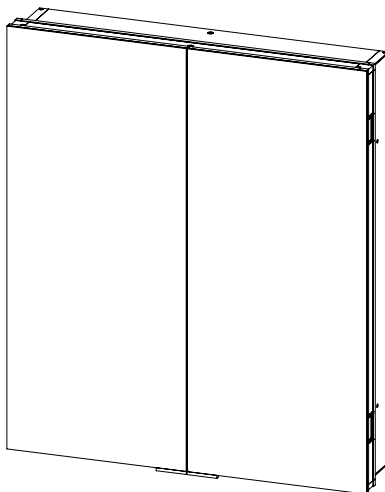
HiB

MAKING
BATHROOMS
BEAUTIFUL

Atrium 50, 60 & 80 Cabinet



Atrium 50
Art No. 53000



Atrium 60 & 80
Art No. 53100 & 53200

Thank you for purchasing this HiB product.

Please read through these instructions carefully and refer back to them during installation to ensure that your product is fitted safely and that it retains its high quality finish.

Please retain this leaflet for future reference.

Before drilling, ensure there are no hidden cables or pipes in the wall. **Ensure the domestic electrical mains supply to which the product is being connected is turned off for installation.**

Electrical Safety Information

HiB recommends that all electrical bathroom products must be installed in accordance with current building and wiring regulations. If in doubt please contact an electrician.

PLEASE NOTE

This product can only be recessed fitted into a wall. A minimum of **80mm depth** is required. Before installing ensure you take note of measurements for the area of the cabinet that will be recessed into the wall and the side fixing points inside the cabinet carcass (See Fig. B & D).

DO NOT fit the shelves until the cabinet is installed and secured in place.

Fixing Preparation and Installation

Before installation, ensure the construction of the wall is suitable to accommodate the size and weight of a recessed cabinet.

The cabinet should be placed in a suitable location, (according to the zonal diagram (Fig. 1) on the back page).

Ensure the domestic electrical mains supply to which the cabinet is being connected is turned off.

NB. Cabinets must be installed with a minimum distance of 150mm between the infra-red sensor switch and any adjacent wall or object to ensure correct operation of the sensor

1. Measuring the back of the cabinet take note of the external dimensions. This will be the required wall aperture for the installation.
2. Using these dimensions, take a soft pencil and mark the outline for the required aperture in the wall. **Take great care to mark this accurately, straight and level.**
3. Using an appropriate tool, cut or channel out the aperture in the wall where the cabinet will fit (Fig. A).
4. If necessary, install supporting baton(s) or noggin(s) around the recessed area (see Fig. B) to which the cabinet can be secured. These supports must be completely vertical and parallel to the cabinet to prevent the cabinet twisting when fitted.
5. Ensure the thickness of the wall's final finished surface allows the cabinet to be attached to the internal support structure of the wall.
6. Remove cabinet from the aperture and apply your final wall finish. (Tiling, shower board for example)
7. Connect the domestic mains supply according to the wiring diagram (See Fig. F) opposite and manoeuvre the cabinet into the wall aperture (See Fig. C).

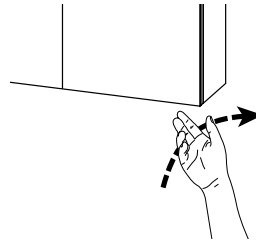
8. Using a suitable screwdriver or drill, secure the cabinet into the wall aperture, via two holes with the supplied screws (two on each side) See Fig. D.
9. Adjust the shelf support brackets to your desired height ensuring the matching brackets are level. This is done by slightly loosening the screw, **do not remove the screw completely.** Once in position tighten screw to secure bracket and put the glass shelf into shelf support bracket (See Fig.E).
10. Switch mains supply back on.

Operation Instructions**To switch on/off**

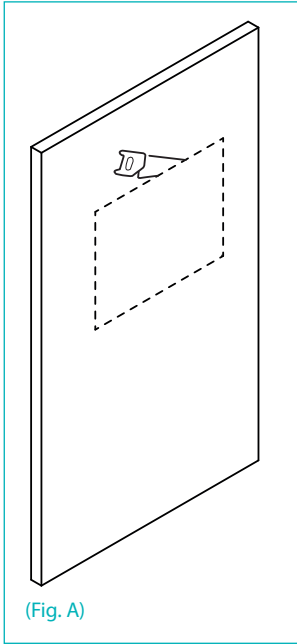
Slowly move your hand past the sensor.

To change the colour temperature

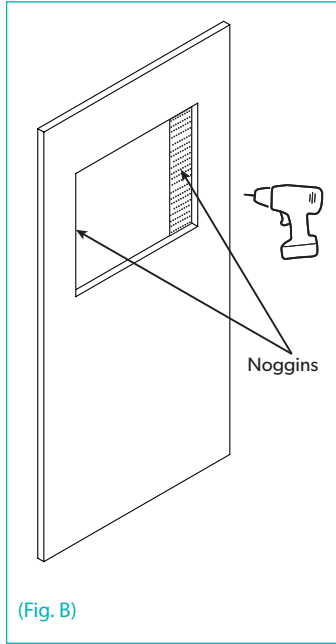
1. To alter the colour temperature of the cabinet, **hold** your hand underneath the sensor, (external, bottom right) the colour temperature will start to change.



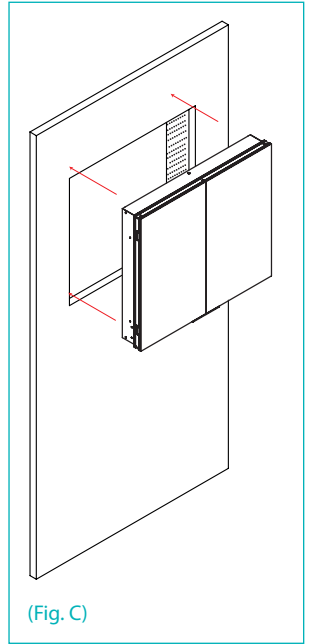
2. Simply move your hand away from the sensor when the desired colour temperature has been reached and continue to operate the cabinet as normal - the chosen colour temperature will remain even after power is switched off and on again.



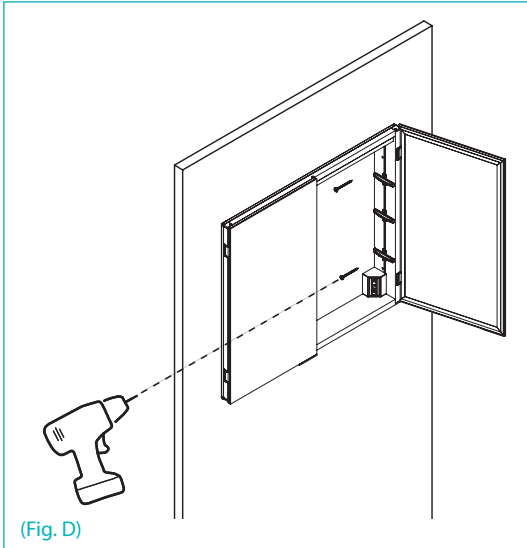
(Fig. A)



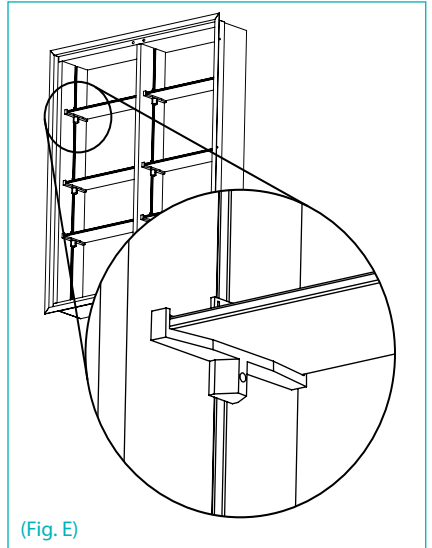
(Fig. B)



(Fig. C)

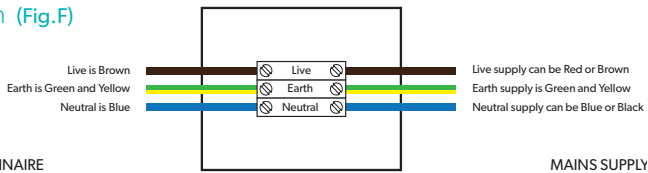


(Fig. D)



(Fig. E)

Wiring Diagram (Fig.F)





(Fig.1)

This product is IP44 rated and is suitable for installation in zones: 2 & Outside Zone

All installations must comply with guidelines which are based on a zonal concept. The diagram above illustrates this concept and must be followed to ensure the safe installation of electrical appliances in the bathroom. These regulations apply to domestic installations only. Installations must be made in accordance with the current IEE wiring regulations and relevant building regulations.

Electrical Safety Information

HiB recommends that all electrical bathroom products must be installed in accordance with current building and wiring regulations. If in doubt please contact an electrician. Ensure mains power supply is switched off before starting installation.

2-Pin charging socket(s) - Charger socket(s) are suitable for charging and powering electric razors, trimmers and toothbrushes. Some cabinets may contain multiple charging sockets.

NB. On first use of the charger socket, inserting the plug may prove to be stiff. Reasonable force may be required to fully insert the plug. Make sure that the cabinet is held firmly so that it is not pushed off the wall. After a few uses, stiffness will ease and the socket will function as normal.

USB socket(s) - If an appliance is connected and the current draw exceeds 1.5A, the USB driver will automatically go into protective shutdown mode and the LED light on the USB socket will flash.

Disconnecting the appliance will reset the USB driver.

Any appliance that requires more than the 1.5A current should not be used in the USB socket

Care Instructions

Do not use abrasives or solvents when cleaning this product.

Wipe off all water spillages as soon as possible using a soft, damp cloth.

Aftercare Service

In the unlikely event that this product should fail please contact HiB customer services, contact details shown below.



WEEE compliance

Must not be mixed with general household waste

T: +44 (0)20 8441 0352 F: +44 (0)20 8441 0219 E: sales@hib.co.uk hib.co.uk

Building 3, North London Business Park, Oakleigh Road South, New Southgate, London. N11 1GN

©HiB Copyright: No part of this document may be reprinted or duplicated without HiB consent. All sizes and measurements are approximate, but we do try and make sure they are as accurate as possible. In the interest of continuous product development, HiB reserves the right to alter specifications as necessary. E & OE.