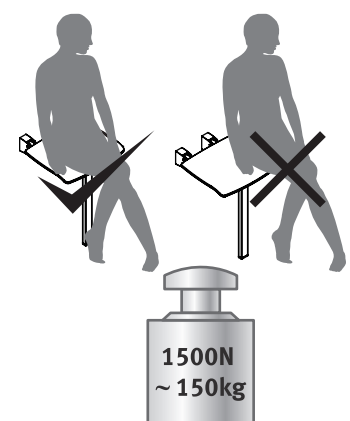
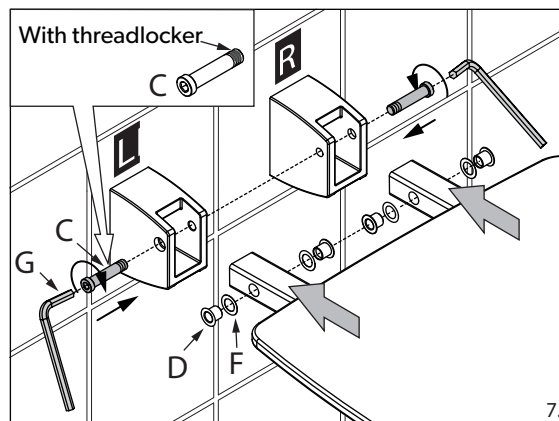
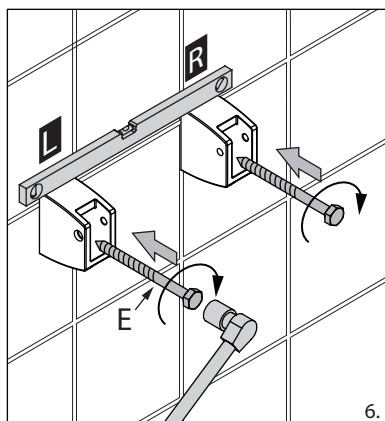
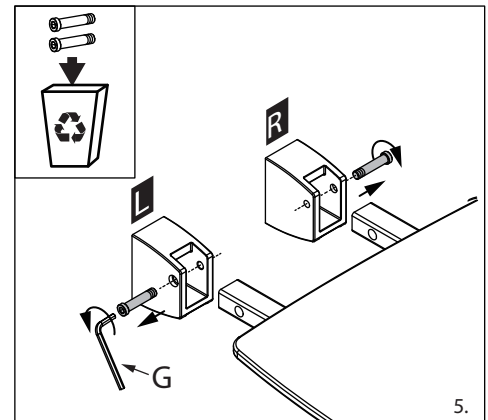
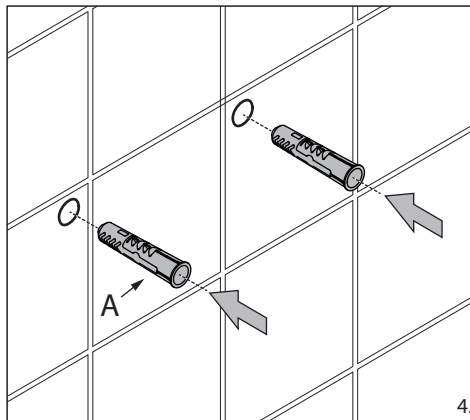
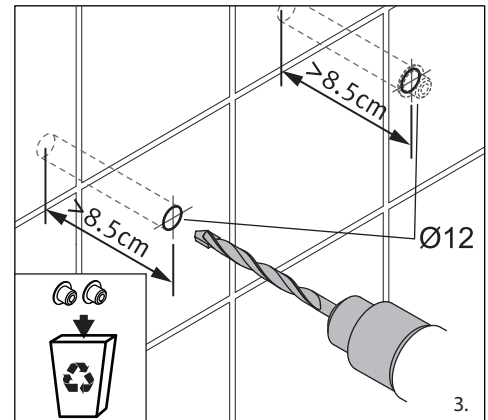
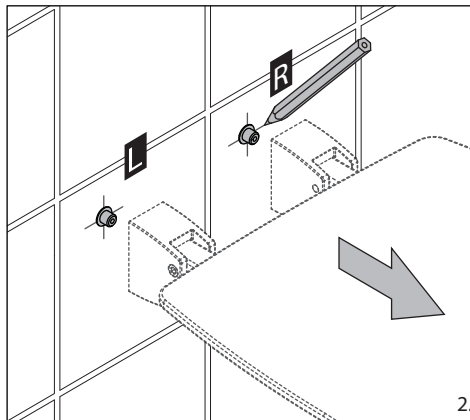
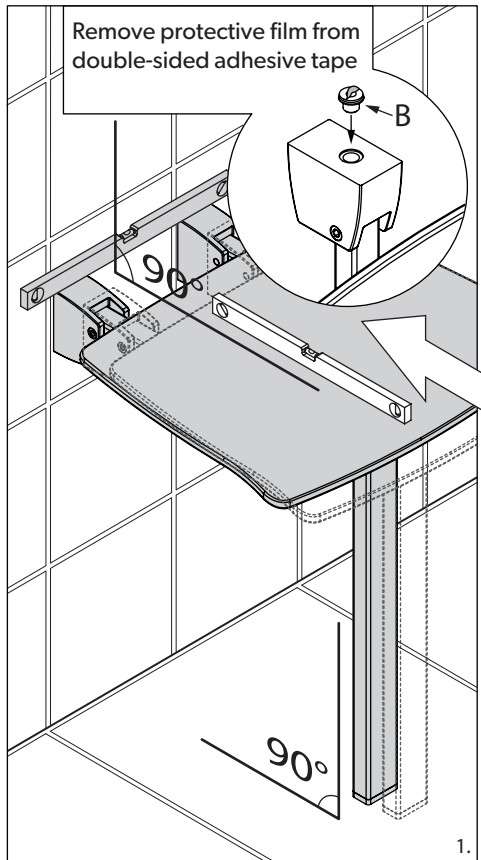
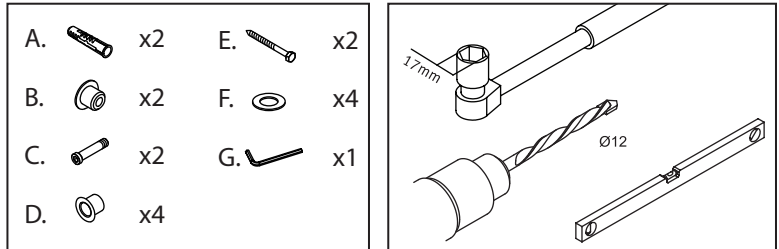


WARNING

The wall mounted folding shower seat is designed to withstand a maximum vertical static load of **150 kg**, exceeding this loading limit may lead to permanent damage. Please use the fixing kit included (Fischer DuoPower 12x60 wall plug and M10 screw) for installation on concrete and solid brick walls. Other wall structures, such as aerated concrete, perforated blocks or pre-wall mounting systems with plasterboard requires special fixing kits. For plasterboard walls, specialist fixings must be purchased, available from any DIY or hardware store or contact Product Support on +44 (0)20 8441 0352 for more information.

Installation Guideline

- Using a suitable drill bit, drill holes in the marked positions to a suitable depth. If drilling through tile, use a ceramic drill bit.
- Insert wall plugs level with the surface of the wall. If fitting to a tiled surface, wall plugs should be inserted below the tile surface to avoid cracking. **NB. For plasterboard walls, specialist fixings should be purchased, available from any DIY or hardware store.**
- Fig.4 - Ensure the retaining grub screw is installed securely.



Care Instructions

- Do not use abrasives or solvents when cleaning this product.
- Wipe off all water spillages as soon as possible using a soft, damp cloth.